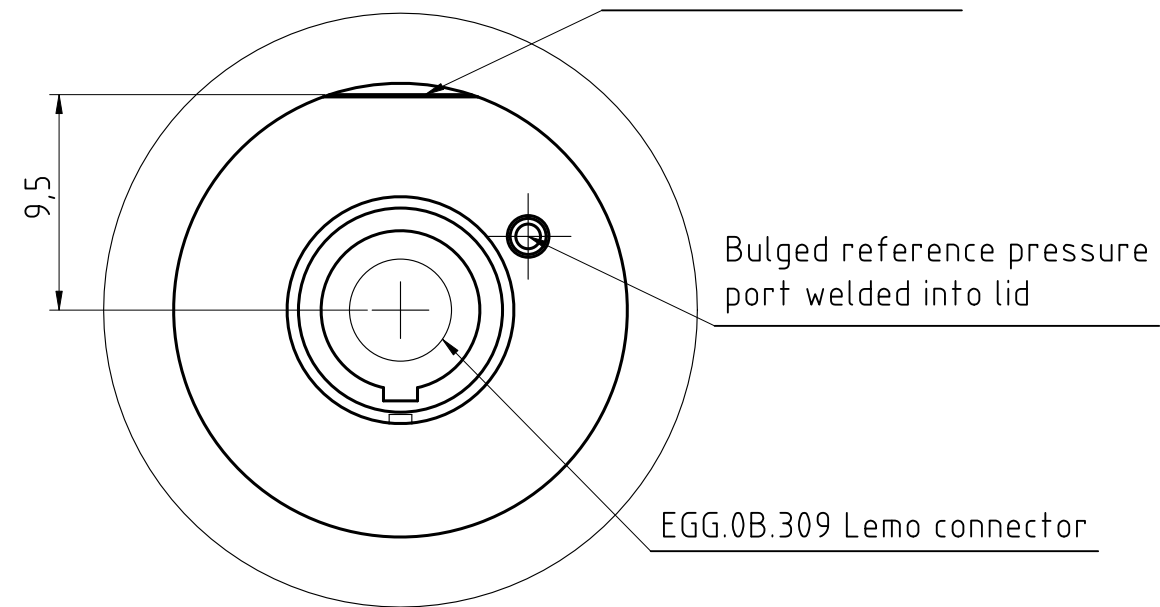
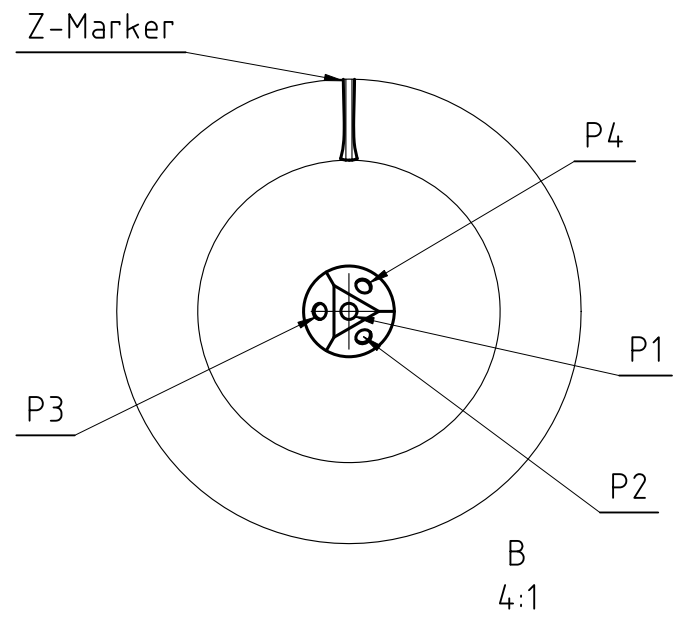



Probe rear end view:



Port numbering at probe tip:



DIMENSIONS ARE IN MM UNLESS MARKED OTHERWISE	DRAWN	NAME	MATERIAL	DOC TYPE
	APPROVED	Domenik Schramm	see drawing	Drawing
Tolerances ISO 2768 Class m / K (machined surfaces) Class c / L (unmachined surfaces)	 Vectoflow GmbH Tel: +49 89 124149570 E-Mail: info@vectoflow.de		TITLE	
			Straight-Shaped 4HP FRAP Air	
Surface Finish: Machined surfaces $\sqrt{Ra\ 3,2}$	SIZE	PART NO.	REV.	
A3	A3	S_4HPFA_daohh1	C	
This document is proprietary and confidential. No part may be disclosed without prior written consent of Vectoflow.		SCALE	DATE	SHEET
		1:1	2023-05-24	1 of 1