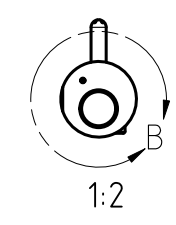
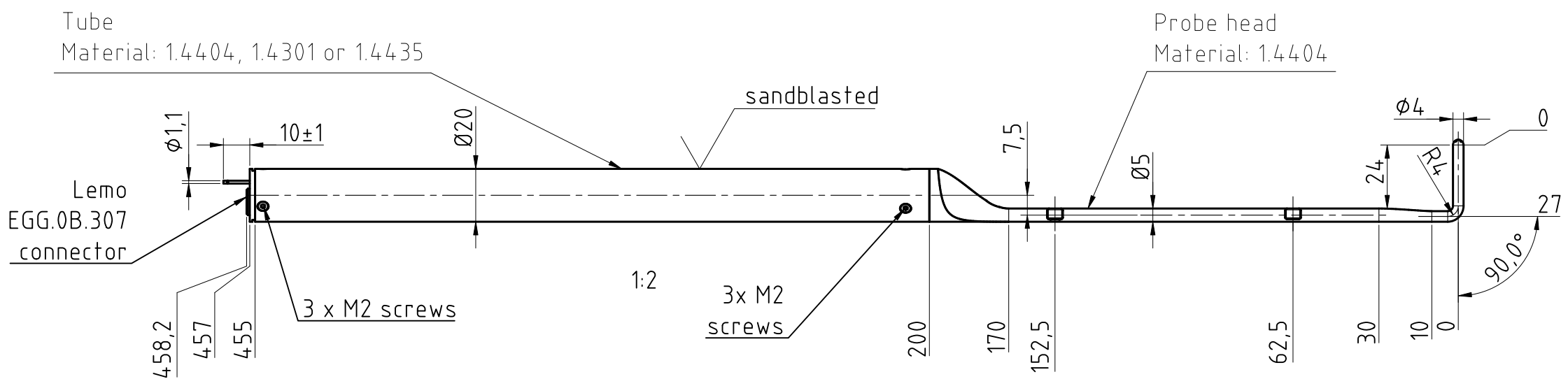
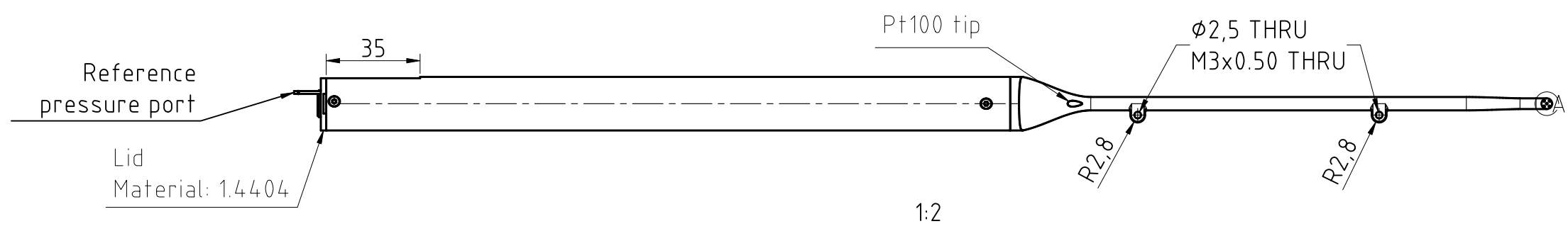


6 5 4 3 2 1

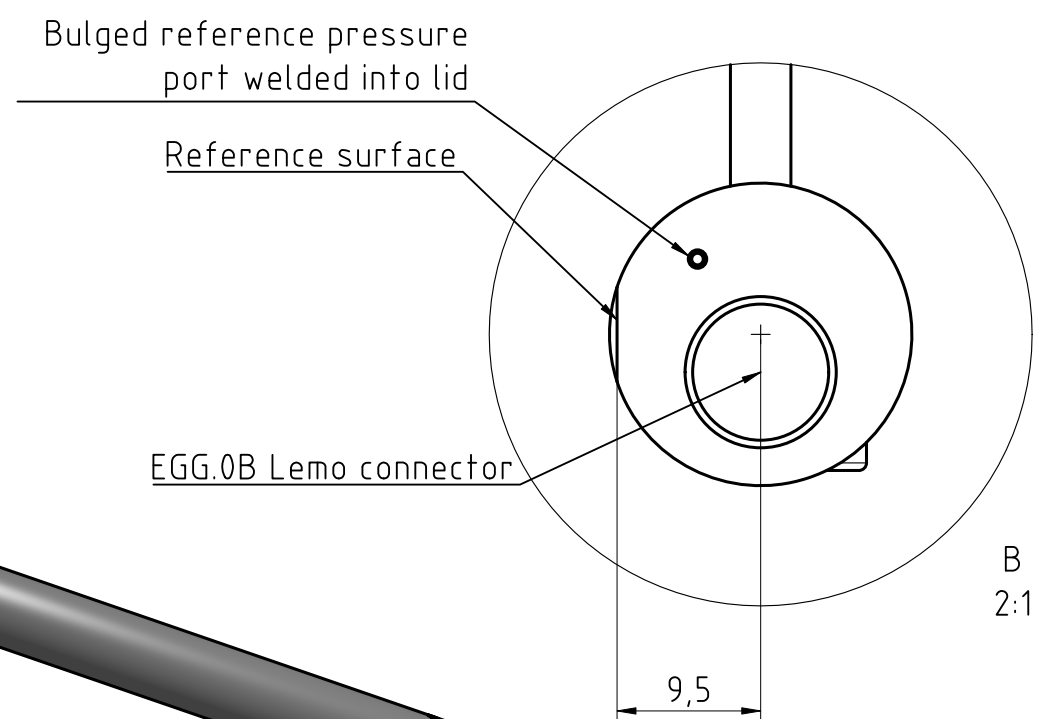
D



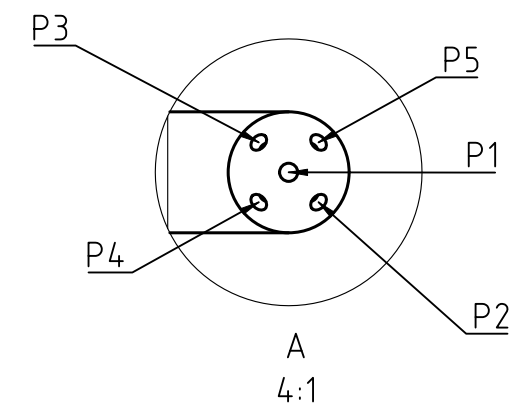
C



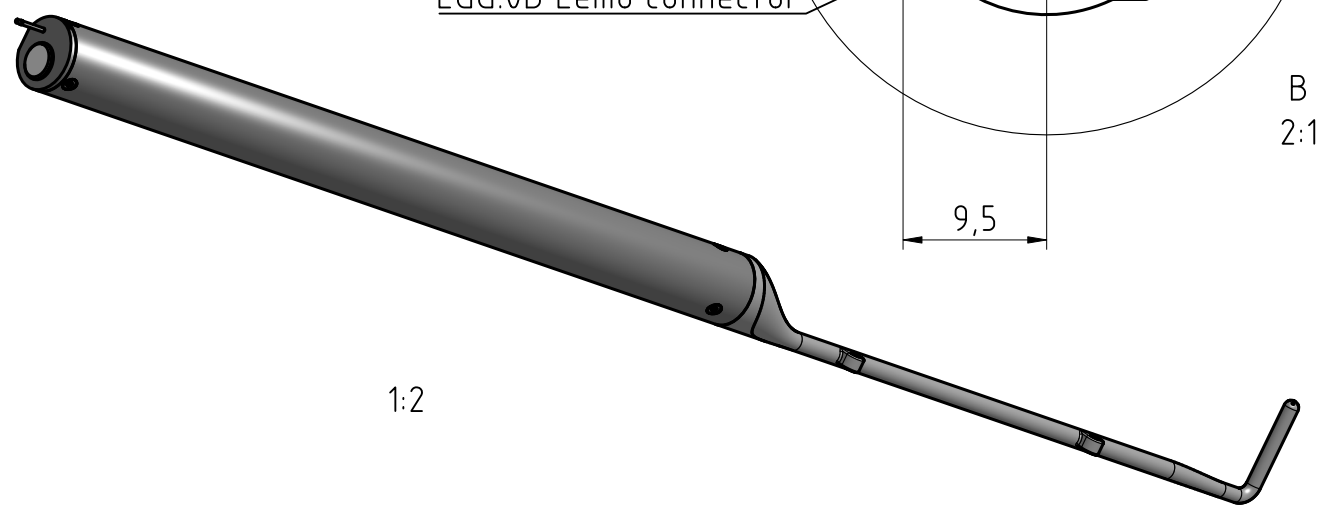
B




Port numbering at probe tip:



A



DRAWN	NAME	MATERIAL	DOC TYPE
	Domenik Schramm	see drawing	Drawing
APPROVED	TITLE	iProbe for ProCap	
	Max Kühn (2022-02-23)		
DIMENSIONS ARE IN MM UNLESS MARKED OTHERWISE Tolerances ISO 2768 Class f / H (machined surfaces) Class m / K (unmachined surfaces)	 Vectoflow GmbH Tel: +49 89 124149570 E-Mail: info@vectoflow.de		
SIZE	A3	SCALE	1:1
This document is proprietary and confidential. No part may be disclosed without prior written consent of Vectoflow.		DATE	2022-02-23
		SHEET	1 of 1

6 5 4 3 2 1

D

C

B

A