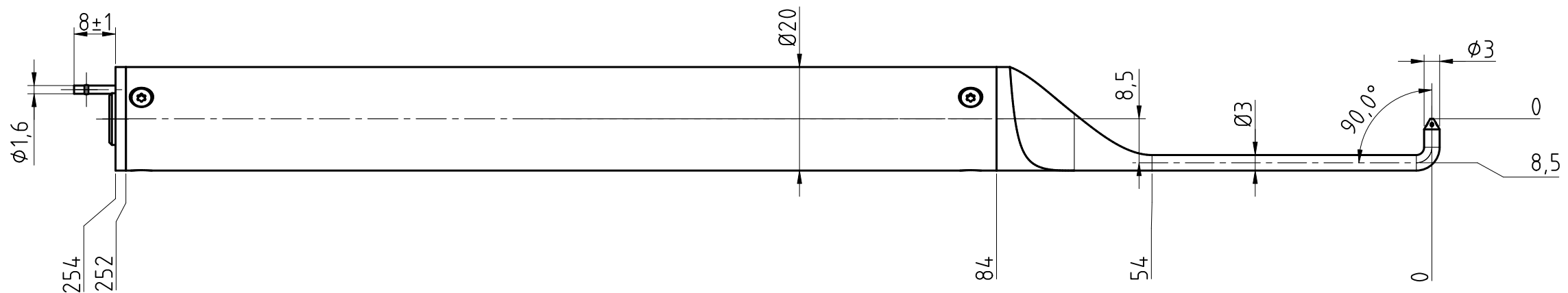


6 5 4 3 2 1

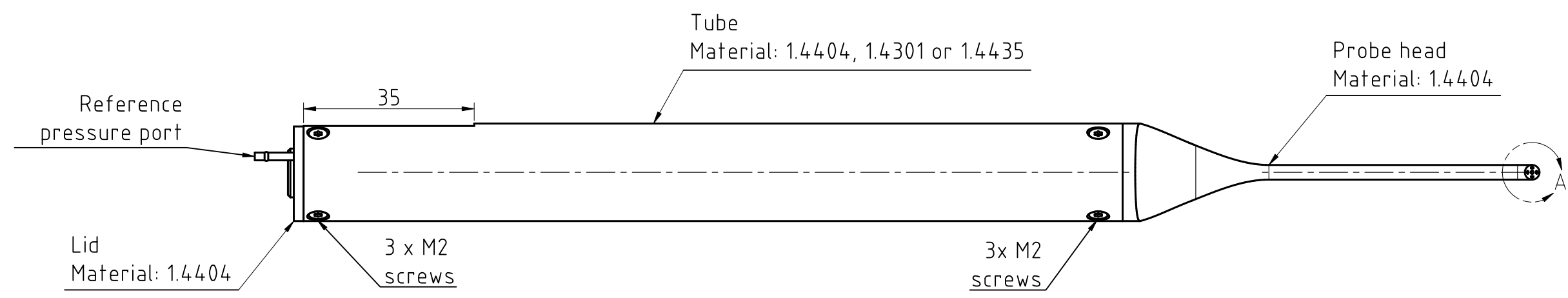
D

D



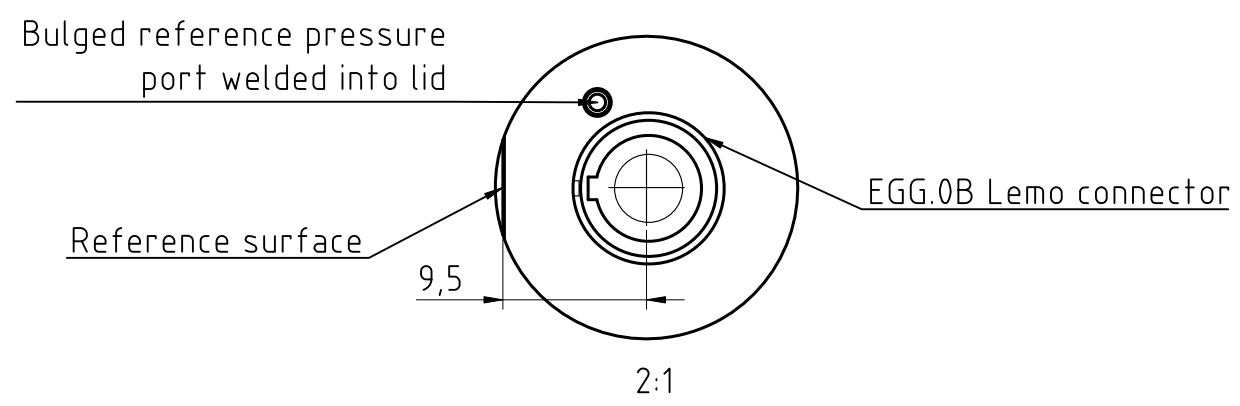
C

C

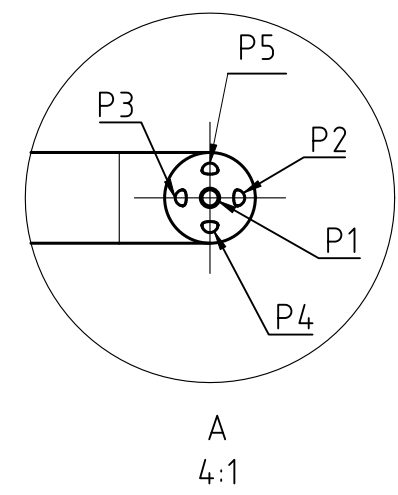


B

B

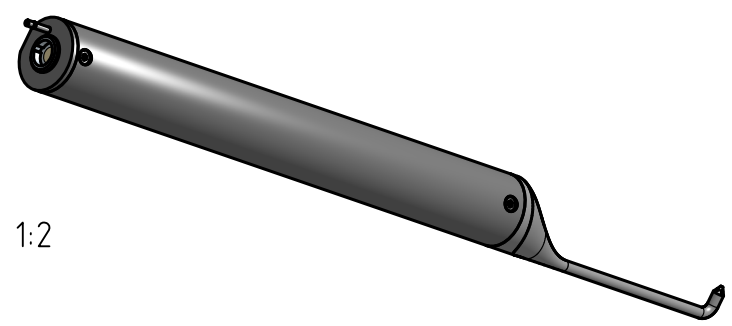


Port numbering at probe tip:



A

A



1:2

DIMENSIONS ARE IN MM UNLESS MARKED OTHERWISE	DRAWN	NAME	MATERIAL	DOC TYPE
	APPROVED	Domenik Schramm	see drawing	Drawing
Tolerances ISO 2768 Class m / K (machined surfaces) Class c / L (unmachined surfaces)	vectorsflow measurements in fluids		L-Shaped 5HP FRAP Air	
	Vectoflow GmbH Tel: +49 89 124149570 E-Mail: info@vectorsflow.de			
Surface Finish: Machined surfaces $\sqrt{Ra\ 3,2}$	PART NO.		L_5HPFA_qppbs9	REV.
SIZE	A3	SCALE		1:1
This document is proprietary and confidential. No part may be disclosed without prior written consent of Vectoflow.		DATE		2023-04-26
			SHEET	
			1 of 1	

6 5 4 3 2 1